

CATALOGO CF 04

PRODOTTI PER SALDATURA  
A SCARICA CAPACITIVA E AD ARCO CORTO



 **CARUSO**<sup>®</sup>  
F A S T E N E R S



## PRIGIONIERI **CFPT** / **CFPT**-THREADED STUDS

FERRO RAMATO 4.8 / ST 37 COPPER PLATED	5
ACCIAIO INOX A2-50 (1.4301/3) / STAINLESS STEEL	6
ALLUMINIO AIMG3 / ALLUMINIUM	7

## PERNI LISCI **CFUT** / **CFUT**-NO THREADED STUDS

FERRO RAMATO 4.8 / ST 37 COPPER PLATED	8
ACCIAIO INOX A2-50 (1.4301/3) / STAINLESS STEEL	9
ALLUMINIO AIMG3 / ALLUMINIUM	10

## BUSSOLE **CFIT** / **CFIT**-TAPPED STUDS

FERRO RAMATO 4.8 / ST 37 COPPER PLATED	11
ACCIAIO INOX A2-50 (1.4301/3) / STAINLESS STEEL	12
ALLUMINIO AIMG3 / ALLUMINIUM	13

## INSUL PINS **ISO** / **ISO**-NAILS

FERRO RAMATO 4.8 - ACCIAIO INOX A2-50 / COPPER PLATED - STAINLESS STEEL	14
---	----

## FASTON SEMPLICI **FI** / EARTH TAGS

## FASTON DOPPI **F2** / TWIN EARTH TAGS

FERRO RAMATO 4.8 - ACCIAIO INOX A2-50 - OTTONE - ALLUMINIO COPPER PLATED - STAINLESS STEEL - BRASS - ALLUMINIUM	15
--	----

## PRIGIONIERI PER ARCO CORTO **FD** / SHORT CYCLE STUDS

FERRO RAMATO 4.8 - ACCIAIO INOX A2-50 (1.4301/3) / ST 37 COPPER PLATED - STAINLESS STEEL	16
--	----

## PRIGIONIERI **CHRISTMAS CD E SD** / **CHRISTMAS** TREE STUDS **CD** AND **SD**

FERRO RAMATO 4.8 / ST 37 COPPER PLATED	16
--	----

## PRIGIONIERI **AUTOPULENTI** / COLOUR GRAVE STUDS

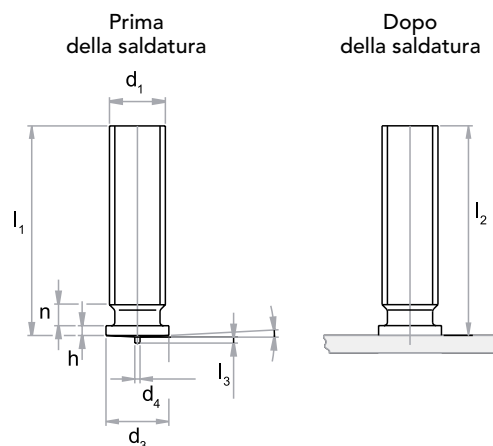
FERRO RAMATO 4.8 / ST 37 COPPER PLATED	16
--	----

# DIMENSIONE STANDARD

STANDARD DIMENSIONS

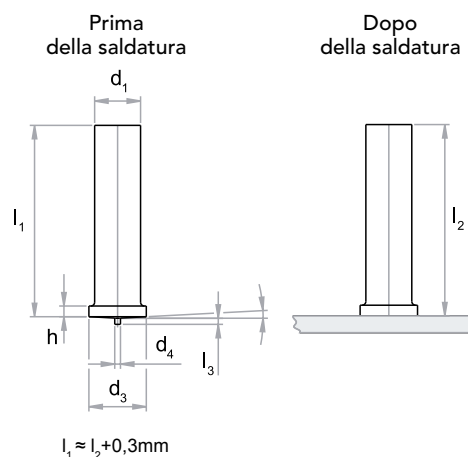
## PRIGIONIERI CFPT / THREADED STUDS CFPT

$d_1$	$l_1$ +0.60	$d_3$ ±0.2	$d_4$ ±0.08	$l_3$ +0.05	h max.	n	$l_2$	$\alpha$
M3	Vedi dimensioni See dimensions	4.5	0.6	0.55	0.7-1.4	1.5	$l_2 \approx l_1 - 0,3$	3
M4		5.5	0.65					
M5		6.5	0.75	0.80	0.8-1.4	2		
M6		7.5		0.8-1.4	3			
M8		9.0		0.85	3			



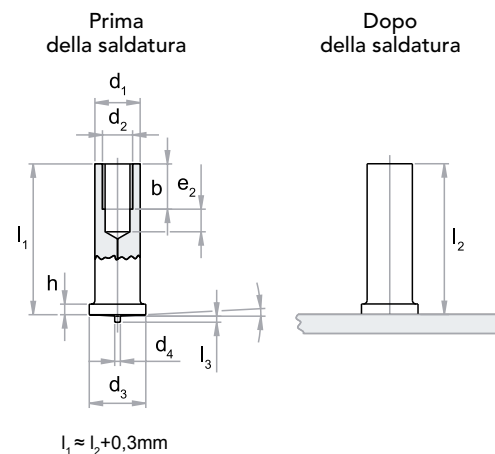
## PERNI LISCI CFUT / PIN CFUT

$d_1$ ±0.1	$l_1$ +0.60	$d_3$ ±0.2	$d_4$ ±0.08	$l_3$ +0.05	h	$l_2$	$\alpha$ ±1
Ø 3	Vedi dimensioni See dimensions	4.5	0.6	0.55	0.7-1.4	$l_2 \approx l_1 - 0,3$	3
Ø 4		5.5	0.65				
Ø 5		6.5	0.75	0.80	0.8-1.4		
Ø 6		7.5		0.8-1.4			
Ø 7		9.0		0.85	0.8-1.4		
Ø 8							



## BUSSOLE CFIT / TAPPED STUD CFIT

$d_1$	$l_1$ +0.60	$d_3$ ±0.2	$d_4$ ±0.08	$l_3$ +0.05	h	$d_2$	b	$l_2$	$\alpha$ ±1
Ø 5	Vedi dimensioni See dimensions	6.5	0.75	0.80	0.8-1.4	M3	5	$l_2 \approx l_1 - 0,3$	3
Ø 6		7.5		0.80		M4	6		
Ø 7.1		9.0	0.85	0.8-1.4	M5	7.5			
Ø 8					M6				



ATTENZIONE: LE CARATTERISTICHE DIMENSIONALI O LE PRESTAZIONI POSSONO ESSERE MODIFICATE SENZA PREAVVISO.

> Misure e materiali speciali su richiesta  
 > On special request modified dimensions  
 and materials can be supplied

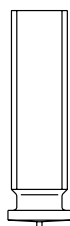


CODICE ORDER-NO.	Misura Dimensions	Peso kg/1000 pezzi Weight kg/1000 pcs
CF03ARPR2.5	M 2,5 x Lungh./ Lengh.	Solo su richiesta Only on demand
CF03ARPR306	M 3 x 6	0,33
CF03ARPR308	M 3 x 8	0,42
CF03ARPR310	M 3 x 10	0,49
CF03ARPR312	M 3 x 12	0,57
CF03ARPR315	M 3 x 15	0,70
CF03ARPR316	M 3 x 16	0,73
CF03ARPR320	M 3 x 20	0,85
CF03ARPR325	M 3 x 25	0,93
CF03ARPR330	M 3 x 30	1,12
CF03ARPR335	M 3 x 35	1,55
CF03ARPR340	M 3 x 40	1,76
CF03ARPR406	M 4 x 6	0,50
CF03ARPR408	M 4 x 8	0,70
CF03ARPR410	M 4 x 10	0,80
CF03ARPR412	M 4 x 12	0,95
CF03ARPR415	M 4 x 15	1,11
CF03ARPR416	M 4 x 16	1,20
CF03ARPR420	M 4 x 20	1,54
CF03ARPR425	M 4 x 25	1,92
CF03ARPR430	M 4 x 30	2,30
CF03ARPR435	M 4 x 35	2,65
CF03ARPR440	M 4 x 40	3,19
CF03ARPR445	M 4 x 45	3,57
CF03ARPR508	M 5 x 8	1,08
CF03ARPR510	M 5 x 10	1,35
CF03ARPR512	M 5 x 12	1,60
CF03ARPR515	M 5 x 15	1,83
CF03ARPR516	M 5 x 16	1,95
CF03ARPR520	M 5 x 20	2,55
CF03ARPR525	M 5 x 25	3,15
CF03ARPR530	M 5 x 30	3,75
CF03ARPR535	M 5 x 35	4,38
CF03ARPR540	M 5 x 40	5,00
CF03ARPR545	M 5 x 45	5,87
CF03ARPR550	M 5 x 50	6,50

CODICE ORDER-NO.	Misura Dimensions	Peso kg/1000 pezzi Weight kg/1000 pcs
CF03ARPR608	M 6 x 8	1,60
CF03ARPR610	M 6 x 10	1,85
CF03ARPR612	M 6 x 12	2,10
CF03ARPR615	M 6 x 15	2,65
CF03ARPR616	M 6 x 16	2,65
CF03ARPR620	M 6 x 20	3,40
CF03ARPR625	M 6 x 25	4,15
CF03ARPR630	M 6 x 30	4,90
CF03ARPR635	M 6 x 35	5,56
CF03ARPR640	M 6 x 40	6,40
CF03ARPR645	M 6 x 45	7,20
CF03ARPR650	M 6 x 50	9,36
CF03ARPR655	M 6 x 55	10,26
CF03ARPR810	M 8 x 10	3,31
CF03ARPR812	M 8 x 12	4,30
CF03ARPR815	M 8 x 15	4,90
CF03ARPR816	M 8 x 16	5,82
CF03ARPR820	M 8 x 20	6,50
CF03ARPR825	M 8 x 25	8,13
CF03ARPR830	M 8 x 30	9,80
CF03ARPR835	M 8 x 35	11,40
CF03ARPR840	M 8 x 40	13,05
CF03ARPR845	M 8 x 45	14,70
CF03ARPR850	M 8 x 50	16,35
CF03ARPR855	M 8 x 55	22,90
CF03ARPR860	M 8 x 60	24,90
CF03ARPR10	M 10 x Lungh./ Lengh.	Solo su richiesta Only on demand

Prigionieri in Ottone CuZn37 su richiesta  
 Studs in Brass (Ms63) on demand

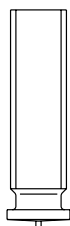
- > Misure e materiali speciali su richiesta
- > On special request modified dimensions and materials can be supplied



CODICE ORDER-NO.	Misura Dimensions	Peso kg/1000 pezzi Weight kg/1000 pcs
CF03IXPRM2.5	M 2,5 x Lungh./ Lengh.	Solo su richiesta Only on demand
CF03IXPR306	M 3 x 6	0,31
CF03IXPR308	M 3 x 8	0,38
CF03IXPR310	M 3 x 10	0,48
CF03IXPR312	M 3 x 12	0,55
CF03IXPR315	M 3 x 15	0,67
CF03IXPR316	M 3 x 16	0,67
CF03IXPR320	M 3 x 20	0,69
CF03IXPR325	M 3 x 25	1,05
CF03IXPR330	M 3 x 30	1,30
CF03IXPR335	M 3 x 35	1,55
CF03IXPR340	M 3 x 40	1,76
CF03IXPR406	M 4 x 6	0,49
CF03IXPR408	M 4 x 8	0,65
CF03IXPR410	M 4 x 10	0,80
CF03IXPR412	M 4 x 12	0,95
CF03IXPR415	M 4 x 15	1,15
CF03IXPR416	M 4 x 16	1,20
CF03IXPR420	M 4 x 20	1,57
CF03IXPR425	M 4 x 25	1,85
CF03IXPR430	M 4 x 30	2,20
CF03IXPR435	M 4 x 35	2,50
CF03IXPR440	M 4 x 40	3,19
CF03IXPR445	M 4 x 45	3,57
CF03IXPR508	M 5 x 8	0,90
CF03IXPR510	M 5 x 10	1,28
CF03IXPR512	M 5 x 12	1,42
CF03IXPR515	M 5 x 15	1,80
CF03IXPR516	M 5 x 16	1,90
CF03IXPR520	M 5 x 20	2,41
CF03IXPR525	M 5 x 25	3,04
CF03IXPR530	M 5 x 30	3,63
CF03IXPR535	M 5 x 35	4,25
CF03IXPR540	M 5 x 40	4,85
CF03IXPR545	M 5 x 45	5,87
CF03IXPR550	M 5 x 50	6,50

CODICE ORDER-NO.	Misura Dimensions	Peso kg/1000 pezzi Weight kg/1000 pcs
CF03IXPR608	M 6 x 8	1,50
CF03IXPR610	M 6 x 10	1,87
CF03IXPR612	M 6 x 12	2,25
CF03IXPR615	M 6 x 15	2,65
CF03IXPR616	M 6 x 16	2,70
CF03IXPR620	M 6 x 20	3,55
CF03IXPR625	M 6 x 25	4,40
CF03IXPR630	M 6 x 30	5,25
CF03IXPR635	M 6 x 35	6,05
CF03IXPR640	M 6 x 40	6,96
CF03IXPR645	M 6 x 45	7,80
CF03IXPR650	M 6 x 50	9,36
CF03IXPR655	M 6 x 55	10,26
CF03IXPR810	M 8 x 10	3,33
CF03IXPR812	M 8 x 12	3,96
CF03IXPR815	M 8 x 15	4,90
CF03IXPR816	M 8 x 16	5,82
CF03IXPR820	M 8 x 20	6,50
CF03IXPR825	M 8 x 25	8,00
CF03IXPR830	M 8 x 30	9,60
CF03IXPR835	M 8 x 35	11,20
CF03IXPR840	M 8 x 40	12,70
CF03IXPR845	M 8 x 45	14,20
CF03IXPR850	M 8 x 50	15,80
CF03IXPR855	M 8 x 55	22,90
CF03IXPR860	M 8 x 60	24,90
CF03IXPR10	M 10 x Lungh./ Lengh.	Solo su richiesta Only on demand

- > Misure e materiali speciali su richiesta
- > *On special request modified dimensions and materials can be supplied*



CODICE ORDER-NO.	Misura Dimensions	Peso kg/1000 pezzi Weight kg/1000 pcs	CODICE ORDER-NO.	Misura Dimensions	Peso kg/1000 pezzi Weight kg/1000 pcs
CF03ALPR306	M 3 x 6	0,10	CF03ALPR608	M 6 x 8	0,46
CF03ALPR308	M 3 x 8	0,13	CF03ALPR610	M 6 x 10	0,55
CF03ALPR310	M 3 x 10	0,14	CF03ALPR612	M 6 x 12	0,70
CF03ALPR312	M 3 x 12	0,15	CF03ALPR615	M 6 x 15	0,85
CF03ALPR315	M 3 x 15	0,21	CF03ALPR616	M 6 x 16	0,90
CF03ALPR316	M 3 x 16	0,23	CF03ALPR620	M 6 x 20	1,19
CF03ALPR320	M 3 x 20	0,29	CF03ALPR625	M 6 x 25	1,41
CF03ALPR325	M 3 x 25	0,39	CF03ALPR630	M 6 x 30	2,34
CF03ALPR330	M 3 x 30	0,49	CF03ALPR635	M 6 x 35	2,60
CF03ALPR406	M 4 x 6	0,15	CF03ALPR640	M 6 x 40	6,96
CF03ALPR408	M 4 x 8	0,18	CF03ALPR810	M 8 x 10	1,13
CF03ALPR410	M 4 x 10	0,27	CF03ALPR812	M 8 x 12	1,35
CF03ALPR412	M 4 x 12	0,32	CF03ALPR815	M 8 x 15	1,60
CF03ALPR415	M 4 x 15	0,39	CF03ALPR816	M 8 x 16	1,75
CF03ALPR416	M 4 x 16	0,39	CF03ALPR820	M 8 x 20	2,15
CF03ALPR420	M 4 x 20	0,50	CF03ALPR825	M 8 x 25	2,65
CF03ALPR425	M 4 x 25	0,65	CF03ALPR830	M 8 x 30	3,24
CF03ALPR430	M 4 x 30	0,76	CF03ALPR10	M 10 x Lungh./ Lengh.	Solo su richiesta Only on demand
CF03ALPR435	M 4 x 35	0,92			
CF03ALPR508	M 5 x 8	0,34			
CF03ALPR510	M 5 x 10	0,40			
CF03ALPR512	M 5 x 12	0,50			
CF03ALPR515	M 5 x 15	0,62			
CF03ALPR516	M 5 x 16	0,64			
CF03ALPR520	M 5 x 20	0,88			
CF03ALPR525	M 5 x 25	1,00			
CF03ALPR530	M 5 x 30	1,25			
CF03ALPR535	M 5 x 35	1,42			
CF03ALPR540	M 5 x 40	1,65			

- > Misure e materiali speciali su richiesta
- > On special request modified dimensions and materials can be supplied



CODICE ORDER-NO.	Misura Dimensions	Peso kg/1000 pezzi Weight kg/1000 pcs
	S 2,1 x Lungh./ Lengh.	Solo su richiesta Only on demand
	S 2,6 x Lungh./ Lengh.	
CF03ARPL306	S 3 x 6	0,33
CF03ARPL308	S 3 x 8	0,42
CF03ARPL310	S 3 x 10	0,49
CF03ARPL312	S 3 x 12	0,54
CF03ARPL315	S 3 x 15	0,64
CF03ARPL320	S 3 x 20	0,82
CF03ARPL325	S 3 x 25	0,98
CF03ARPL406	S 4 x 6	0,60
CF03ARPL408	S 4 x 8	0,67
CF03ARPL410	S 4 x 10	0,80
CF03ARPL412	S 4 x 12	0,95
CF03ARPL415	S 4 x 15	1,18
CF03ARPL416	S 4 x 16	1,18
CF03ARPL420	S 4 x 20	1,54
CF03ARPL425	S 4 x 25	1,92
CF03ARPL430	S 4 x 30	2,30
CF03ARPL435	S 4 x 35	2,65
CF03ARPL508	S 5 x 8	1,15
CF03ARPL510	S 5 x 10	1,35
CF03ARPL512	S 5 x 12	1,60
CF03ARPL515	S 5 x 15	1,95
CF03ARPL520	S 5 x 20	2,55
CF03ARPL525	S 5 x 25	3,15
CF03ARPL530	S 5 x 30	3,75
CF03ARPL535	S 5 x 35	4,35
CF03ARPL540	S 5 x 40	4,92

CODICE ORDER-NO.	Misura Dimensions	Peso kg/1000 pezzi Weight kg/1000 pcs
CF03ARPL608	S 6 x 8	1,65
CF03ARPL610	S 6 x 10	1,85
CF03ARPL612	S 6 x 12	2,10
CF03ARPL615	S 6 x 15	2,68
CF03ARPL620	S 6 x 20	3,40
CF03ARPL625	S 6 x 25	4,15
CF03ARPL630	S 6 x 30	4,90
CF03ARPL635	S 6 x 35	5,65
CF03ARPL640	S 6 x 40	6,40
CF03ARPL645	S 6 x 35	7,20
CF03ARPL7,110	S 7,1 x 10	3,31
CF03ARPL7,112	S 7,1 x 12	4,00
CF03ARPL7,115	S 7,1 x 15	4,90
CF03ARPL7,120	S 7,1 x 20	6,50
CF03ARPL7,125	S 7,1 x 25	8,13
CF03ARPL7,130	S 7,1 x 30	9,80

S 8 x Lungh./Lengh. Solo su richiesta  
Only on demand

Prigionieri in Ottone CuZn37 su richiesta  
Studs in Brass (Ms63) on demand





- > Misure e materiali speciali su richiesta
- > On special request modified dimensions and materials can be supplied

CODICE ORDER-NO.	Misura Dimensions	Peso kg/1000 pezzi Weight kg/1000 pcs
	S 2,1 x Lungh./ Lengh.	Solo su richiesta Only on demand
	S 2,6 x Lungh./ Lengh.	
CF03IXPL306	S 3 x 6	0,31
CF03IXPL308	S 3 x 8	0,38
CF03IXPL310	S 3 x 10	0,48
CF03IXPL312	S 3 x 12	0,55
CF03IXPL315	S 3 x 15	0,67
CF03IXPL316	S 3 x 16	0,67
CF03IXPL320	S 3 x 20	0,89
CF03IXPL325	S 3 x 25	1,05
CF03IXPL406	S 4 x 6	0,50
CF03IXPL408	S 4 x 8	0,65
CF03IXPL410	S 4 x 10	0,80
CF03IXPL412	S 4 x 12	0,95
CF03IXPL415	S 4 x 15	1,15
CF03IXPL416	S 4 x 16	1,20
CF03IXPL420	S 4 x 20	1,57
CF03IXPL425	S 4 x 25	1,85
CF03IXPL430	S 4 x 30	2,20
CF03IXPL435	S 4 x 35	2,50
CF03IXPL508	S 5 x 8	0,90
CF03IXPL510	S 5 x 10	1,28
CF03IXPL512	S 5 x 12	1,42
CF03IXPL515	S 5 x 15	1,80
CF03IXPL516	S 5 x 16	1,80
CF03IXPL520	S 5 x 20	2,41
CF03IXPL525	S 5 x 25	3,04
CF03IXPL530	S 5 x 30	3,63
CF03IXPL535	S 5 x 35	4,25
CF03IXPL540	S 5 x 40	4,85

CODICE ORDER-NO.	Misura Dimensions	Peso kg/1000 pezzi Weight kg/1000 pcs
CF03IXPL608	S 6 x 8	1,40
CF03IXPL610	S 6 x 10	1,86
CF03IXPL612	S 6 x 12	2,25
CF03IXPL615	S 6 x 15	2,65
CF03IXPL616	S 6 x 16	2,66
CF03IXPL620	S 6 x 20	3,55
CF03IXPL625	S 6 x 25	4,40
CF03IXPL630	S 6 x 30	5,25
CF03IXPL635	S 6 x 35	6,05
CF03IXPL640	S 6 x 40	6,96
CF03IXPL645	S 6 x 35	7,80
CF03IXPL7,110	S 7,1 x 10	3,33
CF03IXPL7,112	S 7,1 x 12	3,90
CF03IXPL7,115	S 7,1 x 15	4,90
CF03IXPL7,116	S 7,1 x 16	5,80
CF03IXPL7,120	S 7,1 x 20	6,50
CF03IXPL7,125	S 7,1 x 25	8,00
CF03IXPL7,130	S 7,1 x 30	9,60
CF03IXPL7,135	S 7,1 x 35	11,20
CF03IXPL7,140	S 7,1 x 40	12,70
CF03IXPL7,145	S 7,1 x 45	14,20
CF03IXPL7,150	S 7,1 x 50	15,80

S 8 x Lungh./Lengh. Solo su richiesta  
Only on demand

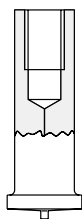
- > Misure e materiali speciali su richiesta
- > On special request modified dimensions and materials can be supplied



CODICE ORDER-NO.	Misura Dimensions	Peso kg/1000 pezzi Weight kg/1000 pcs
	S 2,1 x Lungh./ Lengh.	Solo su richiesta Only on demand
	S 2,6 x Lungh./ Lengh.	
CF03ALPL306	S 3 x 6	0,14
CF03ALPL308	S 3 x 8	0,18
CF03ALPL310	S 3 x 10	0,22
CF03ALPL312	S 3 x 12	0,25
CF03ALPL315	S 3 x 15	0,31
CF03ALPL320	S 3 x 20	0,40
CF03ALPL325	S 3 x 25	0,50
CF03ALPL406	S 4 x 6	0,26
CF03ALPL408	S 4 x 8	0,32
CF03ALPL410	S 4 x 10	0,39
CF03ALPL412	S 4 x 12	0,45
CF03ALPL415	S 4 x 15	0,55
CF03ALPL420	S 4 x 20	0,72
CF03ALPL425	S 4 x 25	0,89
CF03ALPL430	S 4 x 30	1,05
CF03ALPL435	S 4 x 35	1,22
CF03ALPL508	S 5 x 8	0,34
CF03ALPL510	S 5 x 10	0,40
CF03ALPL512	S 5 x 12	0,50
CF03ALPL515	S 5 x 15	0,62
CF03ALPL520	S 5 x 20	0,88
CF03ALPL525	S 5 x 25	1,00
CF03ALPL530	S 5 x 30	1,24
CF03ALPL535	S 5 x 35	1,42
CF03ALPL540	S 5 x 40	1,65

CODICE ORDER-NO.	Misura Dimensions	Peso kg/1000 pezzi Weight kg/1000 pcs
CF03ALPL608	S 6 x 8	0,40
CF03ALPL610	S 6 x 10	0,55
CF03ALPL612	S 6 x 12	0,70
CF03ALPL615	S 6 x 15	0,85
CF03ALPL620	S 6 x 20	1,19
CF03ALPL625	S 6 x 25	1,41
CF03ALPL630	S 6 x 30	1,70
CF03ALPL635	S 6 x 35	1,98
CF03ALPL640	S 6 x 40	2,34
CF03ALPL645	S 6 x 35	2,60
CF03ALPL7,110	S 7,1 x 10	1,30
CF03ALPL7,112	S 7,1 x 12	1,42
CF03ALPL7,1-15	S 7,1 x 15	1,60
CF03ALPL7,120	S 7,1 x 20	2,15
CF03ALPL7,125	S 7,1 x 25	2,65
CF03ALPL7,130	S 7,1 x 30	3,24
	S 8 x Lungh./Lengh.	Solo su richiesta Only on demand

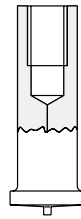
- > Misure e materiali speciali su richiesta
- > On special request modified dimensions and materials can be supplied



CODICE ORDER-NO.	Misura Dimensions	Peso kg/1000 pezzi Weight kg/1000 pcs
CF03ARBU3506	5 M 3 x 6	0,70
CF03ARBU3508	5 M 3 x 8	0,89
CF03ARBU3510	5 M 3 x 10	1,13
CF03ARBU3512	5 M 3 x 12	1,37
CF03ARBU3515	5 M 3 x 15	1,72
CF03ARBU3516	5 M 3 x 16	1,72
CF03ARBU3520	5 M 3 x 20	2,32
CF03ARBU3525	5 M 3 x 25	2,91
CF03ARBU3530	5 M 3 x 30	3,50
CF03ARBU4606	6 M 4 x 6	2,03
CF03ARBU4608	6 M 4 x 8	2,07
CF03ARBU4610	6 M 4 x 10	2,51
CF03ARBU4612	6 M 4 x 12	3,18
CF03ARBU4615	6 M 4 x 15	3,30
CF03ARBU4620	6 M 4 x 20	4,28
CF03ARBU4625	6 M 4 x 25	5,39
CF03ARBU4630	6 M 4 x 30	6,40
CF03ARBU5708	7,1 M 5 x 8	3,30
CF03ARBU5710	7,1 M 5 x 10	3,30
CF03ARBU5712	7,1 M 5 x 12	3,90
CF03ARBU5715	7,1 M 5 x 15	5,20
CF03ARBU5716	7,1 M 5 x 16	5,20
CF03ARBU5718	7,1 M 5 x 18	6,00
CF03ARBU5720	7,1 M 5 x 20	6,50
CF03ARBU5725	7,1 M 5 x 25	8,10
CF03ARBU5730	7,1 M 5 x 30	9,80
CF03ARBU6810	8 M 6 x 10	3,63
CF03ARBU6812	8 M 6 x 12	4,29
CF03ARBU6815	8 M 6 x 15	5,72
CF03ARBU6820	8 M 6 x 20	7,15
CF03ARBU6825	8 M 6 x 25	8,91
CF03ARBU6830	8 M 6 x 30	10,78

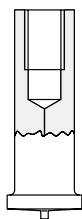
Bussole in Ottone CuZn37 su richiesta  
Tapped Studs in Brass (Ms63) on demand

- > Misure e materiali speciali su richiesta
- > *On special request modified dimensions and materials can be supplied*



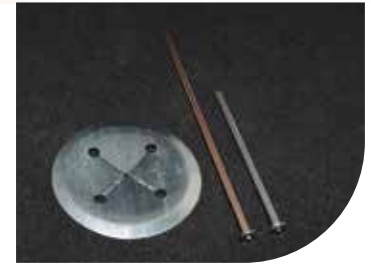
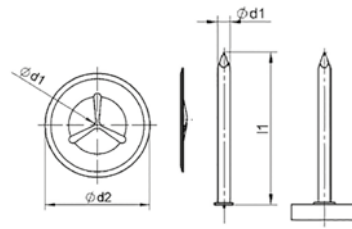
CODICE ORDER-NO.	Misura Dimensions	Peso kg/1000 pezzi Weight kg/1000 pcs
CF03IXBU3506	5 M 3 x 6	0,89
CF03IXBU3508	5 M 3 x 8	0,89
CF03IXBU3510	5 M 3 x 10	1,13
CF03IXBU3512	5 M 3 x 12	1,37
CF03IXBU3515	5 M 3 x 15	1,72
CF03IXBU3516	5 M 3 x 16	1,72
CF03IXBU3520	5 M 3 x 20	2,32
CF03IXBU3525	5 M 3 x 25	2,91
CF03IXBU3530	5 M 3 x 30	3,50
CF03IXBU4606	6 M 4 x 6	2,03
CF03IXBU4608	6 M 4 x 8	2,07
CF03IXBU4610	6 M 4 x 10	2,51
CF03IXBU4612	6 M 4 x 12	3,18
CF03IXBU4615	6 M 4 x 15	3,30
CF03IXBU4620	6 M 4 x 20	4,28
CF03IXBU4625	6 M 4 x 25	5,39
CF03IXBU4630	6 M 4 x 30	6,40
CF03IXBU5710	7,1 M 5 x 10	3,30
CF03IXBU5712	7,1 M 5 x 12	3,90
CF03IXBU5715	7,1 M 5 x 15	5,20
CF03IXBU5716	7,1 M 5 x 16	5,20
CF03IXBU5720	7,1 M 5 x 20	6,50
CF03IXBU5725	7,1 M 5 x 25	8,10
CF03IXBU5730	7,1 M 5 x 30	9,80
CF03IXBU6810	8 M 6 x 10	3,63
CF03IXBU6812	8 M 6 x 12	4,29
CF03IXBU6815	8 M 6 x 15	5,72
CF03IXBU6820	8 M 6 x 20	7,15
CF03IXBU6825	8 M 6 x 25	8,91
CF03IXBU6830	8 M 6 x 30	10,78

- > Misure e materiali speciali su richiesta
- > *On special request modified dimensions and materials can be supplied*



CODICE ORDER-NO.	Misura Dimensions	Peso kg/1000 pezzi Weight kg/1000 pcs
CF03ALBU3506	5 M 3 x 6	0,49
CF03ALBU3508	5 M 3 x 8	0,59
CF03ALBU3510	5 M 3 x 10	0,70
CF03ALBU3512	5 M 3 x 12	0,80
CF03ALBU3515	5 M 3 x 15	1,00
CF03ALBU3516	5 M 3 x 16	1,01
CF03ALBU3520	5 M 3 x 20	1,23
CF03ALBU3525	5 M 3 x 25	1,49
CF03ALBU3530	5 M 3 x 30	1,76
CF03ALBU4608	6 M 4 x 8	0,30
CF03ALBU4610	6 M 4 x 10	0,60
CF03ALBU4612	6 M 4 x 12	0,90
CF03ALBU4615	6 M 4 x 15	1,46
CF03ALBU4620	6 M 4 x 20	1,77
CF03ALBU4625	6 M 4 x 25	2,16
CF03ALBU4630	6 M 4 x 30	2,55
CF03ALBU5710	7,1 M 5 x 10	1,42
CF03ALBU5712	7,1 M 5 x 12	1,64
CF03ALBU5715	7,1 M 5 x 15	2,07
CF03ALBU5720	7,1 M 5 x 20	2,51
CF03ALBU5725	7,1 M 5 x 25	3,08
CF03ALBU5730	7,1 M 5 x 30	3,63
	8 M 6 x Lungh./ Lengh.	Solo su richiesta Only on demand

> Misure e materiali speciali su richiesta  
 > On special request modified dimensions and materials can be supplied

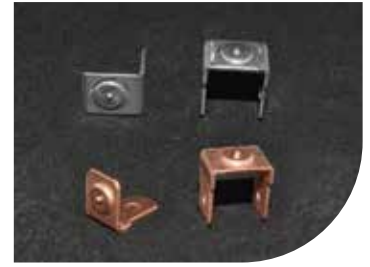


CODICE ORDER-NO.	Misura Dimensions	Peso kg/1000 pezzi Weight kg/1000 pcs
CF03CHR2020	2 x 20 Ferro Ramato	0,50
CF03CHR2030	2 x 30 Ferro Ramato	0,77
CF03CHR2040	2 x 40 Ferro Ramato	1,04
CF03CHR2050	2 x 50 Ferro Ramato	1,31
CF03CHR2060	2 x 60 Ferro Ramato	1,59
CF03CHR2070	2 x 70 Ferro Ramato	1,86
CF03CHR2085	2 x 85 Ferro Ramato	2,25
CF03CHR2100	2 x 100 Ferro Ramato	2,67
CF03CHR3020	3 x 20 Ferro Ramato	1,04
CF03CHR3050	3 x 50 Ferro Ramato	2,70
CF03CHR3065	3 x 65 Ferro Ramato	3,50
CF03CHR3085	3 x 85 Ferro Ramato	4,36
CF03CHR3100	3 x 100 Ferro Ramato	5,47
CF03CHR3150	3 x 150 Ferro Ramato	8,17
CF03IXCHR2030	2 x 30 Inox	0,78
CF03IXCHR2050	2 x 50 Inox	1,32
CF03IXCHR2065	2 x 65 Inox	1,60
CF03IXCHR2085	2 x 85 Inox	2,14
CF03IXCHR2100	2 x 100 Inox	2,69
CF03CHR2038	Clip R2x38 Ferro Zn	4,40
CF03CHR3038	Clip R3x38 Ferro Zn	4,40
CF03CHR4038	Clip R4x38 Ferro Zn	4,40
CF03CHR5038	Clip R5x38 Ferro Zn	4,40
CF03CHR6038	Clip R6x38 Ferro Zn	4,40
CF03IXCHR2038	Clip R2x38 Inox	4,40
CF03IXCHR3038	Clip R3x38 Inox	4,40

# CFFASTON F1 SEMPLICI /

# CFFASTON F2 DOPPI

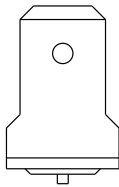
FERRO RAMATO 4.8 - ACCIAIO INOX A2-50 - OTTONE - ALLUMINIO  
ST 37 COPPER PLATED - STAINLESS STEEL - BRASS - ALLUMINIUM



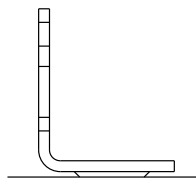
- > Misure e materiali speciali su richiesta
- > *On special request modified dimensions and materials can be supplied*

CODICE / ORDER-NO.		Misura Dimensions	Peso kg/1000 pezzi Weight kg/1000 pcs
F1 SEMPLICI	F2 DOPPI		
CF03ARFS	CF03ARFD	6,3 Ferro ramato	0,98
CF03IXFS	CF03IXFD	6,3 Inox	1,00
CF03CUFS	CF03CUFD	6,3 Ottone	0,98
CF03ALFD	CF03ALFD	6,3 Alluminio	0,50

Prima  
della saldatura

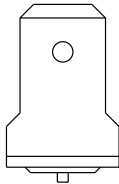


Dopo  
della saldatura

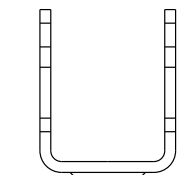


FASTON **F1** SEMPLICI

Prima  
della saldatura



Dopo  
della saldatura



FASTON **F2** DOPPI

D1	D3	H	L
M5	6,0		
M6	7,0		
M8	9,0	0,8-1,4	8-50 MM
M10	11,0		
M12	13,0		

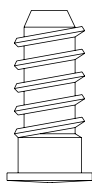


ESEMPIO CODIFICA ARTICOLO  
 EXAMPLE CODING ARTICLE

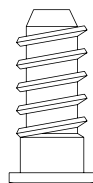
RAMATO	CFPSCRM615
INOX	CFPSCM615

**PRIGIONIERI CHRISTMAS CFFD / CFSC**  
 FERRO RAMATO 4.8 / ST 37 COPPER PLATED

**CHRISTMAS TREE STUDS CD**



CODICE ORDER-NO.	Misura d x l Dimensions
CF11-005-S009	Ø 5 x 9
CF11-005-S014	Ø 5 x 14,2
CF11-005-S018	Ø 5 x 18
CF11-005-S025	Ø 5 x 25



**CHRISTMAS TREE STUDS SC**

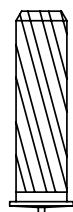


CODICE ORDER-NO.	Misura d x l Dimensions
CF11-055-S009	Ø 5 x 9
CF11-055-S012	Ø 5 x 12
CF11-055-S014	Ø 5 x 14,2
CF11-055-S018	Ø 5 x 18
CF11-055-S025	Ø 5 x 25

**PRIGIONIERI AUTOPULENTI**  
 FERRO RAMATO 4.8 / ST 37 COPPER PLATED

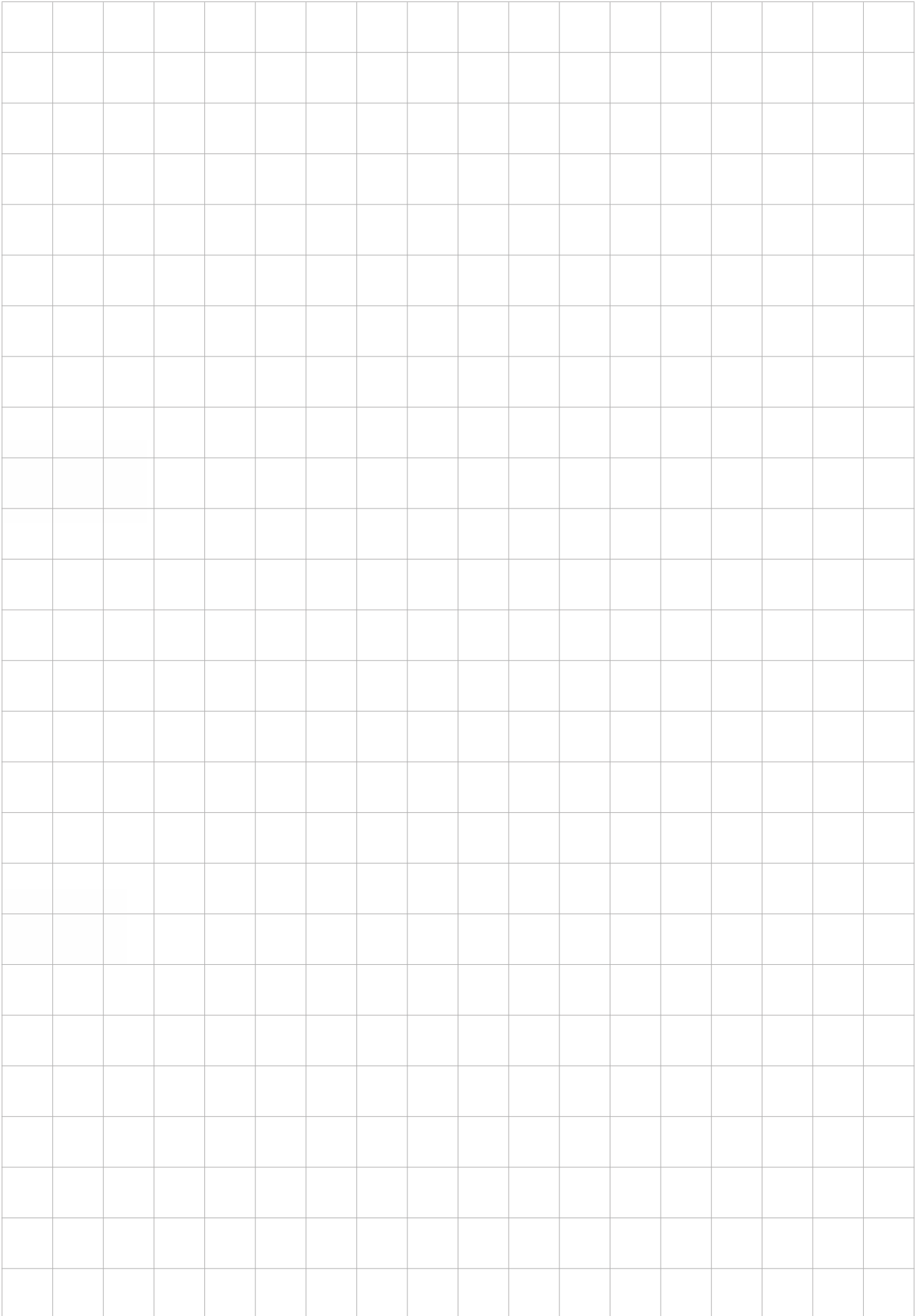
**COLOUR GRAVE STUDS**

CODICE ORDER-NO.	
CFPSRAUT	M6 x 12
	M6 x 15
	M6 x 20

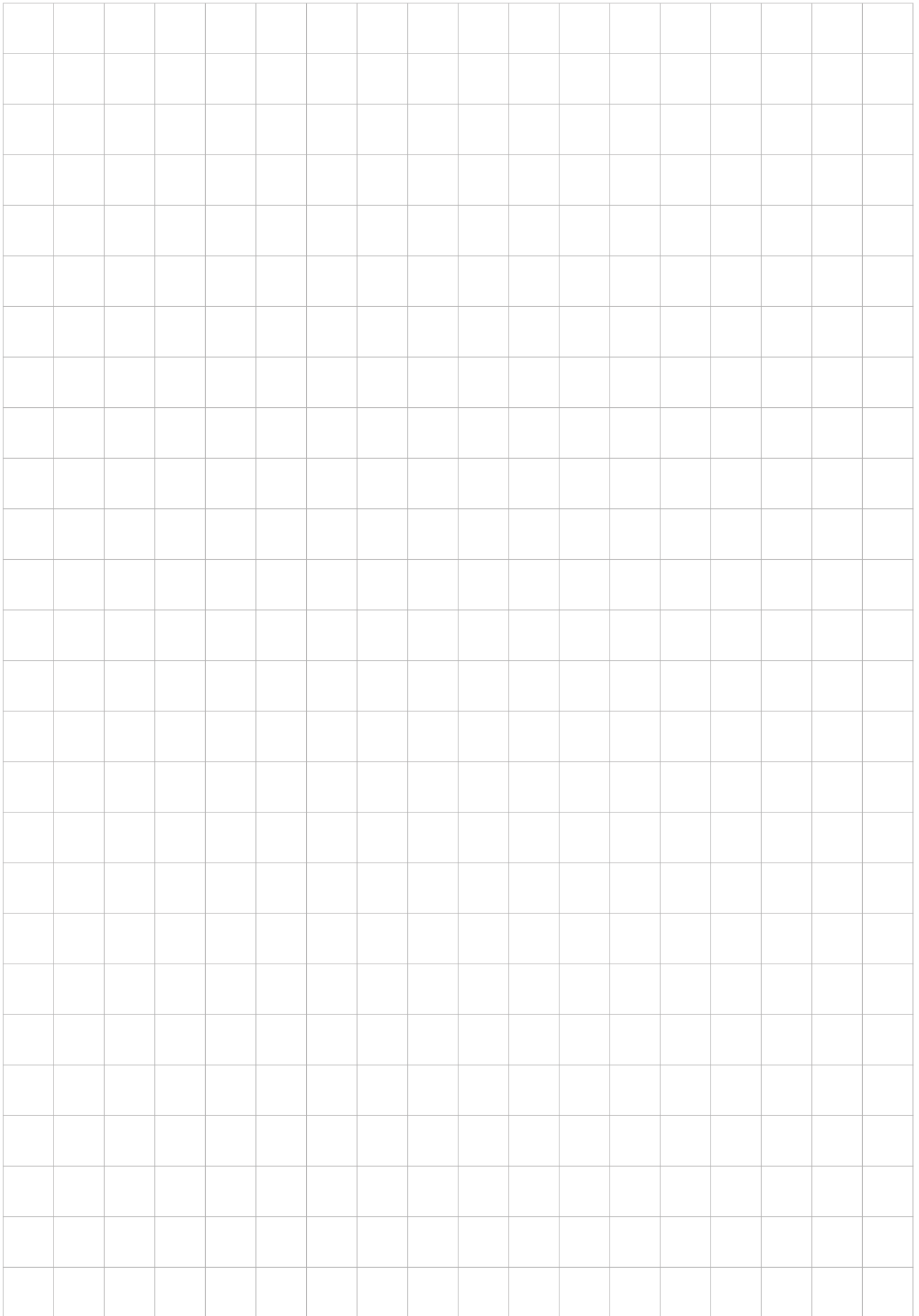




## NOTE



# NOTE





# DA 30 ANNI AL FIANCO DI CHI USA FASTENERS



Via delle Gallarane, 10/12 | 22046 Merone (CO)

Tel. 031 3333486 | Fax 031 3339064

C.F. | P.IVA 03228940130

[www.carusofasteners.it](http://www.carusofasteners.it) | [info@carusofasteners.it](mailto:info@carusofasteners.it)

